

Wearable Scanner User's Manual

Introduction

This scanner includes wireless 2.4G, wireless Bluetooth and Type-C transmission modes, these transmission modes can be switched any time.

When the scanner turns on, it will automatically enter the interface detection status, if the Type-C cable is connected and recognized, the scanner will enter the wired transmission mode, otherwise it will enter wireless transmission mode.



Factory default

Note: Factory default settings are marked with an asterisk "*" in this manual

▼ Pair Method



Pair setting

1.2.4G Receiver mode:

First scan the "2.4G mode" code, then scan the "pairing setting" code, enter the pairing state (the blue light flashes quickly at this time), insert the receiver, and hear a "Di" voice, the pairing is successful, and the blue light is off. (The pairing time is about 1 minute, and it will automatically exit if the pairing fails over time).

2. Bluetooth pairing (two pairing methods):

Scan code pairing:

1) scan the "Bluetooth HID" code, then scan the "Pairing" "Set" code to enter the Bluetooth search (the blue light flashes rapidly at this time);

2) Turn on Bluetooth in the device, find the "Barcode Scanner HID" and click pairing, the pairing is successful "Di" One sound, the blue light goes out. (Note: the pairing time is approximately After about 1 minutes, if the pairing is not successful after timeout, it will automatically exit).

NFC pairing:

1) Turn on the NFC function in the device and enter the Blue-tooth search interface, place the NFC sensor surface of the scanner close to the NFC induction area, the induction successfully enters the Bluetooth search (The blue light flashes rapidly at this time).

2) In the device Bluetooth search to find "Barcode Scanner HID" and click pairing, the pairing is successful "Di" one sound, the blue light goes out. (Note: the pairing time is approximately After about 1 minutes, if the pairing is not successful after timeout, it will automatically exit).

▼ Inventory Mode

The scanner exceeds the transmission distance, we suggest to use inventory mode.

The scanner data is storied directly in the memory. If the memory is full, three alarms will be sounds, and blue light will flash 3 times.



Memory mode



Upload data

Note: upload all data, means that upload all data in storage.

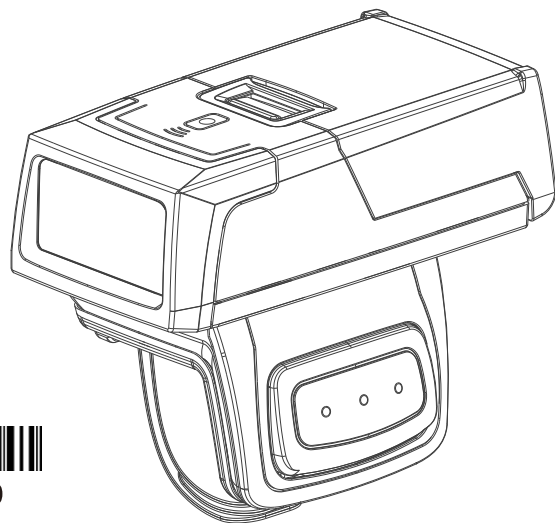
▼ Immediate Mode

In immediate mode, after the wire or wireless transmission is successful, the scanner emits a short sound and the blue light flashes once.

The scanner exceeds the transmission distance or send data fails, all data will be lost, at the same time, sound 3 times alarm prompt continuously and blue light flashes 3 times.



Immediate Mode



V1.0

▼ Communication Mode



2.4G Receiver mode (*)



Bluetooth HID mode



Bluetooth SPP mode



Bluetooth BLE mode

▼ Buetooth upload speed setting



Upload statistics

Note: upload statistics, can see barcode total amount in storage.



Fast



Delete all data

Note: Delete all data, will delete all data in storage, Data will not be restored after deleting, make sure the data has been uploaded for backup before deleting.



Medium



LOW

▼ **BluetoothHID Mode Function**
(Only for ios)



HID Keyboard display and hidden setting



Disable double-click HID Keyboard display and hidden setting



Enable double-click HID Keyboard display and hidden setting

▼ **Sound Setting**



Disable sound

▼ **Sleep Time Setting**



2 minute (*)



5 minute (*)

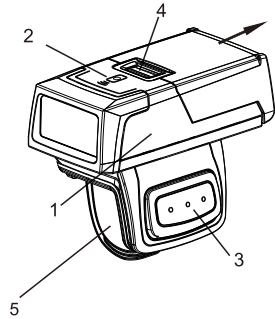


30 minutes



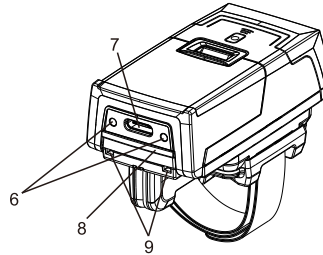
On

▼ **View function description**



1. NFC Icon
2. Top Scan Trigger
3. Side Scan Trigger
4. Battery Release Latch
5. Finger Strap

6. Charging Pads for Cradles
7. Type C charging port
8. Indicator light
9. Lanyard hole



▼ **LED Indicator**

1. Red light is always on when charging, it turns off when the battery is full or the charging line is not connected.

Unpaired state, the blue light flashes slowly; paired state, the blue light flashes fast; pairing successful, the blue light go off.

▼ **Buzzer Description**

Sound type	Description
1 time long beep(low first high after)	Scanner on
1 time long beep(high first low after)	Scanner of
1 time short beep(low)	Scan code or pair receiver or wireless connected successfully.
1 time short beep(low first high after)	Save scanning data in storage.
1 time short beep(high first low after)	Scan setting code
3 times short beep(low)	2.4G send data fail or cache is full
5 times short beep(low) and stop scanning	Power off
2 times short beep(low)	2.4G Disconnect
2 times short beep(high)	Scan the Setting code which does not work

▼ **Terminal Setting**



Low



Enter



High



Enter+LF

▼ **Shake Setting**



Enable shake (*)



TAB

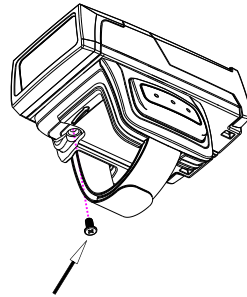


Disable shake

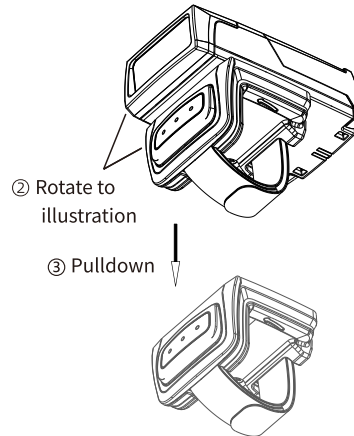


No terminal

▼ **Ring holder assembly drawing**



① Unscrew the screws



② Rotate to illustration

③ Pulldown

▼ **Interface**



USB Virtual Com

Display Power



Display version



Notification:

1. Please read this manual carefully before using the barcode scanner;
2. The charging voltage of the scanner is 5V, please use a 5V/1A power adaptor for charging to ensure that there is sufficient power for the normal operation of scanner;
3. Our company reserves all rights, and reserves the right to make changes to the product to improve its reliability, functionality or design;
4. This package includes: 1 barcode scanner; 1 receiver; 1 Type-C cable; 1 user's manual;
5. Please be advised that any revision of this manual will not be informed.